



Manufactured according to OIML R60 standards

Capacity from 2000 kg to 40000 kg

- SPECIAL STEEL
- SWITCHING ACCURACY $\pm 2\%$ ON FULL SCALE
- PROTECTION CLASS IP67
- SUITABLE AS LOAD LIMITER FOR LIFTING EQUIPMENT
- RAPID MOUNTING (also on extant lifting systems)



WIRE ROPE TENSION	kg			EAC	EAC Ex	DIAMETER ROPE (mm)	NET WEIGHT OF LOAD CELL (kg)	CODE
up to	2000	•	•	•		Ø 6 ÷ Ø 14	2.4	FUN6141T1T
up to	4000	•	•	•		Ø 10 ÷ Ø 18	2.4	FUN10182T1T
up to	10000	•	•	•		Ø 16 ÷ Ø 26	2.4	FUN16265T2T
up to	20000	•	•	•		Ø 24 ÷ Ø 36	7.5	FUN243610T3T
up to	40000	•	•	•		Ø 24 ÷ Ø 36	7.5	FUN243620T5T

ON REQUEST

On request: customized load cells according to the relation between tension and rope diameter.

CERTIFICATIONS

CERTIFICATIONS ON REQUEST



ATEX II 1GD (zone 0-1-2-20-21-22)



IECEx (zone 0-1-2-20-21-22)

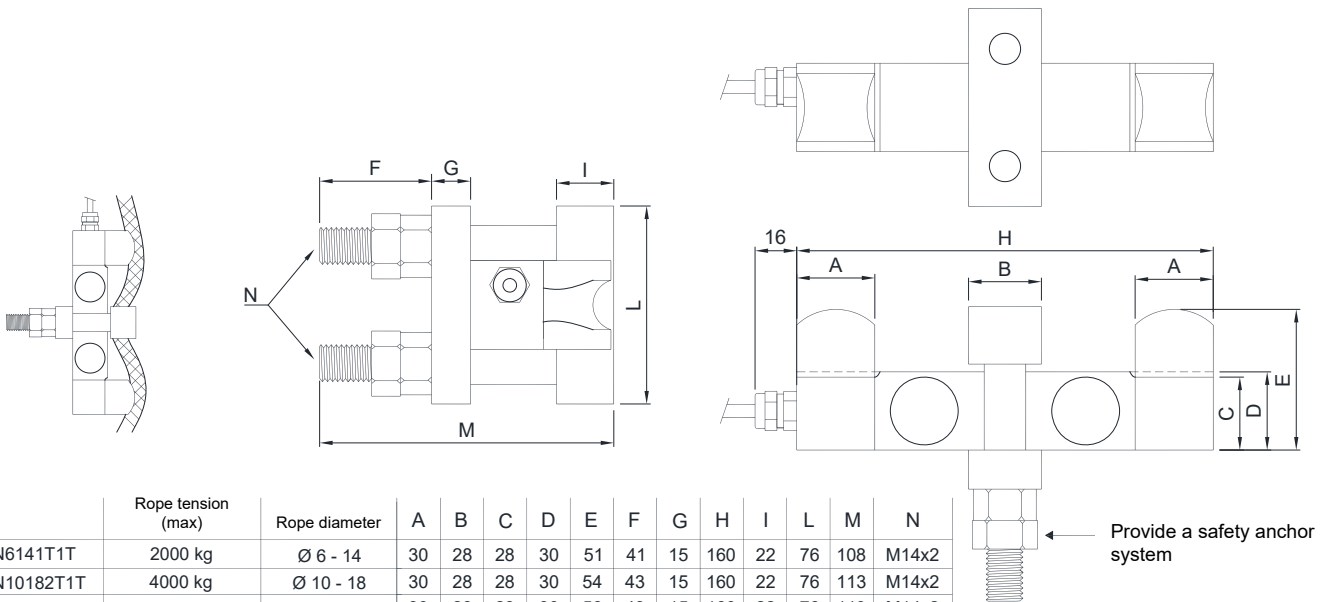


Complies with the Eurasian Custom Union standards



Complies with the Eurasian Custom Union standards for use in potentially explosive atmospheres

DIMENSIONS (mm)



	Rope tension (max)	Rope diameter	A	B	C	D	E	F	G	H	I	L	M	N
FUN6141T1T	2000 kg	Ø 6 - 14	30	28	28	30	51	41	15	160	22	76	108	M14x2
FUN10182T1T	4000 kg	Ø 10 - 18	30	28	28	30	54	43	15	160	22	76	113	M14x2
FUN16265T2T	10000 kg	Ø 16 - 26	30	28	28	30	56	43	15	160	22	76	119	M14x2
FUN243610T3T	20000 kg	Ø 24 - 36	45	39	40	45	82	67	24	260	34	108	173	M18x2,5
FUN243620T5T	40000 kg	Ø 24 - 36	45	39	40	45	82	67	24	260	34	108	173	M18x2,5

TECHNICAL FEATURES

Material	AISI 420 stainless steel		
Nominal load (E max)	2000 - 4000 - 10000 - 20000 - 40000 kg		
Switching accuracy on full scale	±2%		
Protection class	IP67		
Rated output	3 mV/V ±0.1%	Input resistance	450/750/1050 Ω ±50
Temperature effect on zero	0.005% °C	Output resistance	350/700/1000 Ω ±20
Temperature effect on span	0.005% °C	Zero balance	±2%
Compensated temperature range	-10 °C / +50 °C	Insulation resistance	>5000 MΩ
Operating temperature range	-30 °C / +70 °C	Safe overload (% of full scale)	150%
Creep at nominal load in 30 minutes	0.03%	Ultimate overload (% of full scale)	200%
Max supply voltage without damage	15 V	Deflection at nominal load	0.5 mm

ELECTRICAL CONNECTIONS

Cable length	6 m
Cable diameter	5 mm
Cores	4/6 x 0.14 mm ²

